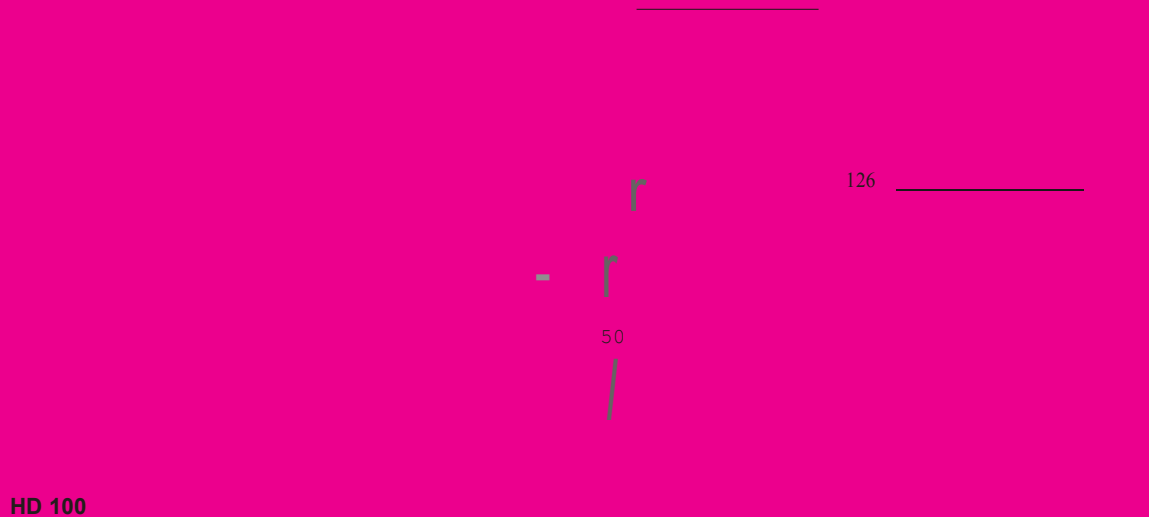


## **D. HARDWARE'S**

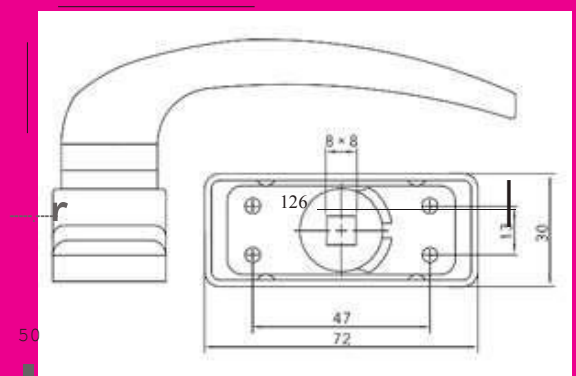
# 11u Door Glasses

## Common salient features:

- Premium quality, top of the range
- Heavy duty handle, suitable for fixing on right as well as left-handed doors.
- Made of die-cast aluminium.
- Ergonomic design facilitates comfortable grip and movement
- Specially designed Stainless Steel spring Provides long life and ensure return to perfect horizontal position at all times.
- Concealed fixing screws for greater aesthetics
- 8mm universal square pin
- High quality surface finish



HD 100

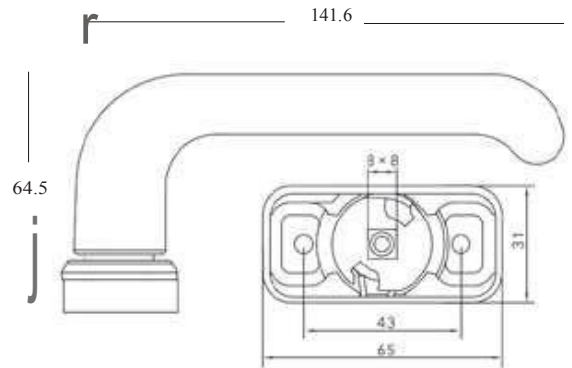


HD 200

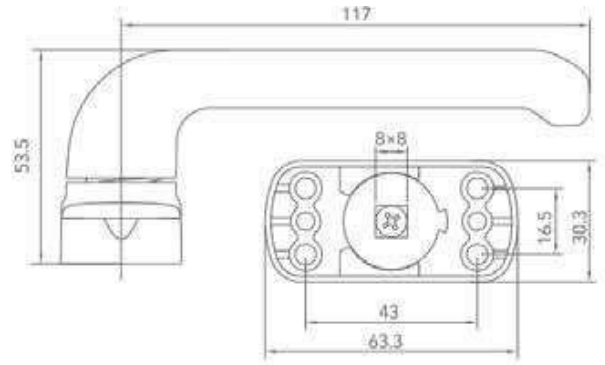
White    Black    Beige    Brown    Mill Finish



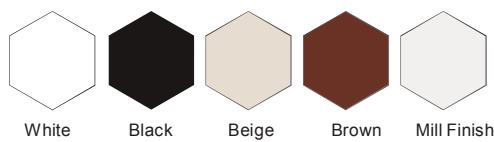
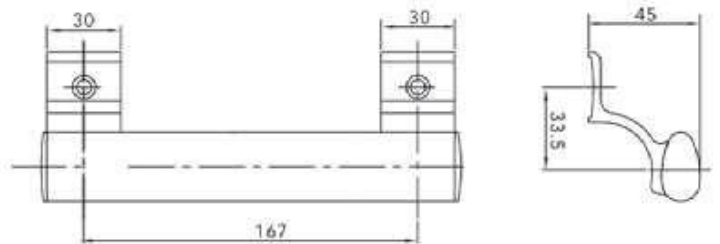
**HD 300**



**HD 6110**



**Volga Handle  
SW 100**

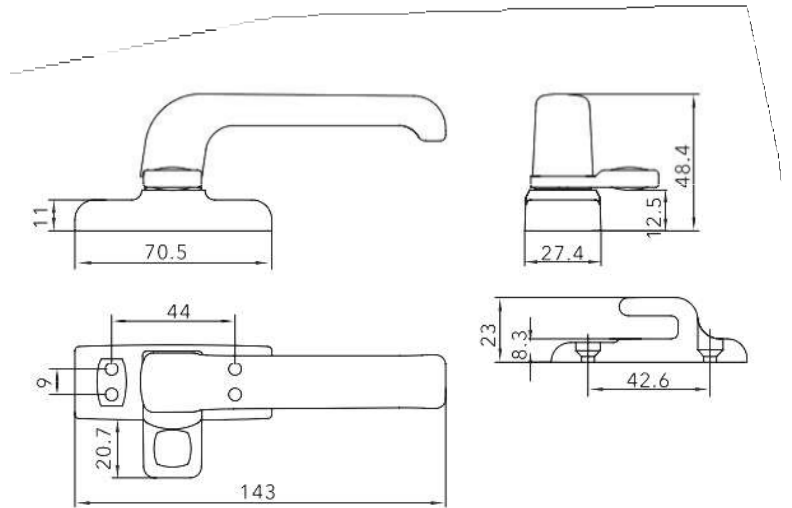


**Common salient features:**

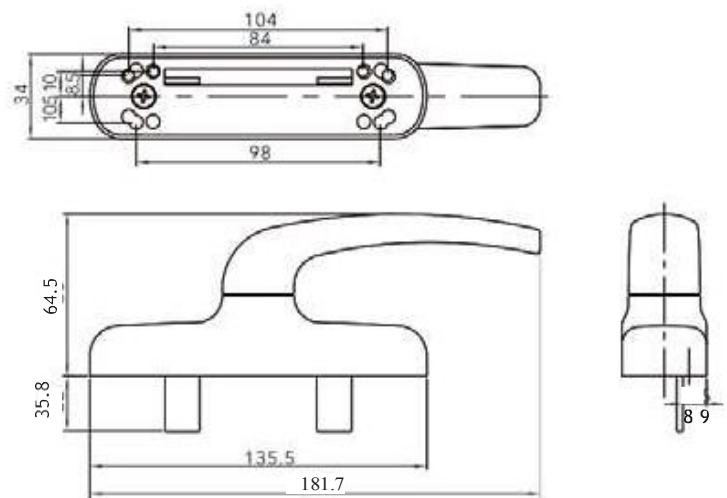
- Premium quality, top of the range
- Heavy duty handle, suitable for fixing on right as well as left-handed doors.
- Made of die-cast aluminium.
- Ergonomic design facilitates comfortable grip and movement
- Specially designed Stainless Steel spring Provides long life and ensure return to perfect horizontal position at all times.
- Concealed fixing screws for greater aesthetics
- High quality surface finish



**WD 20**



**HW200**



## Locks for metal frames



Open-case mortice lock for metal frames, operating with European-profile cylinder.  
Forend mm. 238 x 22 x 3 in stainless **STEEL**. One 15 mm. throw. **REVERSIBLE DEADBOLT**.

Deadlocking by key or handle follower mm. 8. Cylinder, screw.	741203H8609
Backset mm. 20 with Nickel cylinder mm. 60, and striking plate	741253H8609
Backset mm. 25 with Nickel cylinder mm. 60, and striking plate	741303H8609
Backset mm. 30 with Nickel cylinder mm. 60, and striking plate	741353H8609

Backset mm. 25 with Nickel cylinder mm. 56 - <b>Two throws</b>	747253C8569
Backset mm. 30 with Nickel cylinder mm. 56 - <b>Two throws</b>	747303C8569
Backset mm. 35 with Nickel cylinder mm. 56 - <b>Two throws</b>	747353C8569

Backset mm. 30 with Brass cylinder mm. 60 - <b>Two throws</b>	747306H860H
---	-------------

Backset mm. 20 - Cylinder to be ordered separately	741200
Backset mm. 25 - Cylinder to be ordered separately	741250
Backset mm. 30 - Cylinder to be ordered separately	741300
Backset mm. 35 - Cylinder to be ordered separately	741350



Open-case mortice lock for metal frames, operating with European-profile cylinder.  
Forend mm. 238 x 22 x 3 in stainless **STEEL**. One 15 mm. throw. **ADJUSTABLE ROLLER**. Cylinder, striking plate screw.

Backset mm. 20 with Nickel cylinder mm. 60 and striking plate	743203H8609
Backset mm. 25 with Nickel cylinder mm. 60 and striking plate	743253H8609
Backset mm. 30 with Nickel cylinder mm. 60 and striking plate	743303H8609
Backset mm. 35 with Nickel cylinder mm. 60 and striking plate	743353H8609

Backset mm. 25 with Nickel cylinder mm. 56 - <b>Two throws</b>	748253C8569
Backset mm. 30 with Nickel cylinder mm. 56 - <b>Two throws</b>	748303C8569
Backset mm. 35 with Nickel cylinder mm. 56 - <b>Two throws</b>	748353C8569

Backset mm. 20 - Cylinder to be ordered separately	743200
Backset mm. 25 - Cylinder to be ordered separately	743250
Backset mm. 30 - Cylinder to be ordered separately	743300
Backset mm. 35 - Cylinder to be ordered separately	743350

